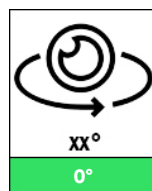
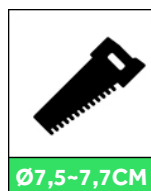
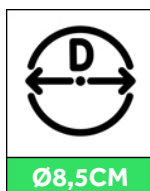
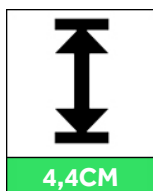
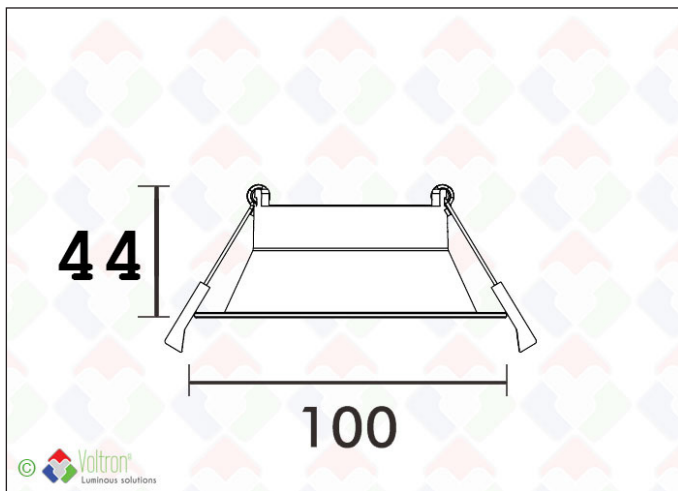


Click and Light



CL-FF75-BL

VOLTRON® Click and Light frame with unique connection system.
Frame made of T-6 aircraft aluminum (alloy ALU 6065) with powerful springs. AkzoNobel lacquer layer = Black - type = recessed fixed - H = 44mm - Ø = 85mm - hole = 75-77mm. Can be used for all VOLTRON® Click and Light light modules



Technical data

Productnumber	Barcode	Height	Finish color	Outer diameter
CL-FF75-BL	LH-1452	4,4CM	Black	Ø8,5CM
Punch hole	Tiltable	Packed per		
Ø7,5~7,7CM	0°	1		

Specification text*

Modern and sleek housing for the Click & Light series is characterized by a super sleek and fine design. Finished in black lacquer with 2 springs and protective rubbers ensures a perfect finish. The 4 different Click & Light light modules can be mounted on this housing (6W / 9W / 13W / 17W), which ensures great flexibility and reduction in stock costs. Cut-out diameter of 75 ~ 77mm, outside diameter finished of 100mm. The installation height without driver depends on the lightwattage module (6W = 78mm / 9W & 13W = 97mm / 17W = 105mm).

* Available on the website

Extra attention!

The correct installation height of the frame and the light module depends on the selected light module.
That is why we advise you to consult the website with technical photos.
You can find all correct dimensions at this location. You can use the QR code below.

Areas of application

Private homes / office spaces, meeting rooms / showroom, shops / corridors / overhanging external structures

Extra information

All information, specification texts, photos, technical drawings, connection diagrams, photometric .LDT files can be found via this clickable direct link: https://www.voltron-lighting.com/product/EN/72/1452/Click_and_Light--CL-FF75-BL or can be requested through your contact person.

Direct link website



Product barcode



*The Voltron® name and logo as well as product names are part of the Voltron® Lighting Group and are protected by national and international laws.
The usage rights, reproduction rights as well as the intellectual rights are the exclusive property of the Voltron® Lighting Group.
Voltron® pays a lot of attention to the correctness and completeness of the information. However, it cannot be held responsible for any inaccuracy and / or omission.
All images and texts are protected under copyright law and may not be used or multiplied without express permission.*